



Foodservice Equipment

Job _____ Item# _____

Countertop Gas Griddles

Thermostatic Gas Griddles:

TMDG2400T, TMDG2400TP, TMDG3600T, TMDG3600TP, TMDG4800T, TMDG4800TP

Manual Gas Griddles:

TMDG2400, TMDG2400P, TMDG3600, TMDG3600P, TMDG4800, TMDG4800P

Models shown may ship UPS

Standard Features:

- Stainless steel front including top rail
- Aluminized steel rear and sides
- 4" steel legs
- Natural gas or LP
- 3/4" rear gas connection and universal pressure regulator supplied
- 3/4" thick polished rolled steel plate with 4" high rear and side splash guards
- Adjustable flame per 12" cooking zone



TMDG2400

Application:

The Toastmaster Countertop Gas Griddles are the most economical and flexible Countertop Griddles in the food service industry. They offer unsurpassed performance, combining a proven control system with Toastmaster quality and durability. Available in 3 different widths - 24", 36" and 48".

Controls:

One front panel mounted control knob per burner, to allow adjustable flame height. One burner per 12" of griddle.

Electrical:

None required.

Heating:

U shaped burner is controlled by independent control of flame. One standing pilot services each burner. A 3/4" rear connection is standard. Area over burners is covered by stainless steel radiant.

Each burner is rated for 20,000 BTU/hr for natural gas and 20,000 BTU/hr for propane gas. The TMDG units have one U shaped burner per 12" of charbroiler.

The TMDG24's have a total of 2 burners, the TMDG36's have a total of 3 burners and the TMDG48's have a total of 4 burners.

Dual branding cast iron grates are reversible, allowing for a 1/4" or 1/8" brand.

Construction:

Stainless steel front including top rail, with aluminized steel rear and sides, with 4" high rear and side splash guards and full width stainless steel grease trough and easy to access grease drawer. Gas units have 3/4" polished rolled steel plate.

The gas units have one U shaped burner per 12" of griddle. The TMDG24's have a total of 2 burners, TMDG36's have a total of 3 burners, and the TMDG48's have a total of 4 burners.

Cleanability:

- Stainless steel front for durability and easy cleanup.
- Easy access to grease drawer.

Warranty:

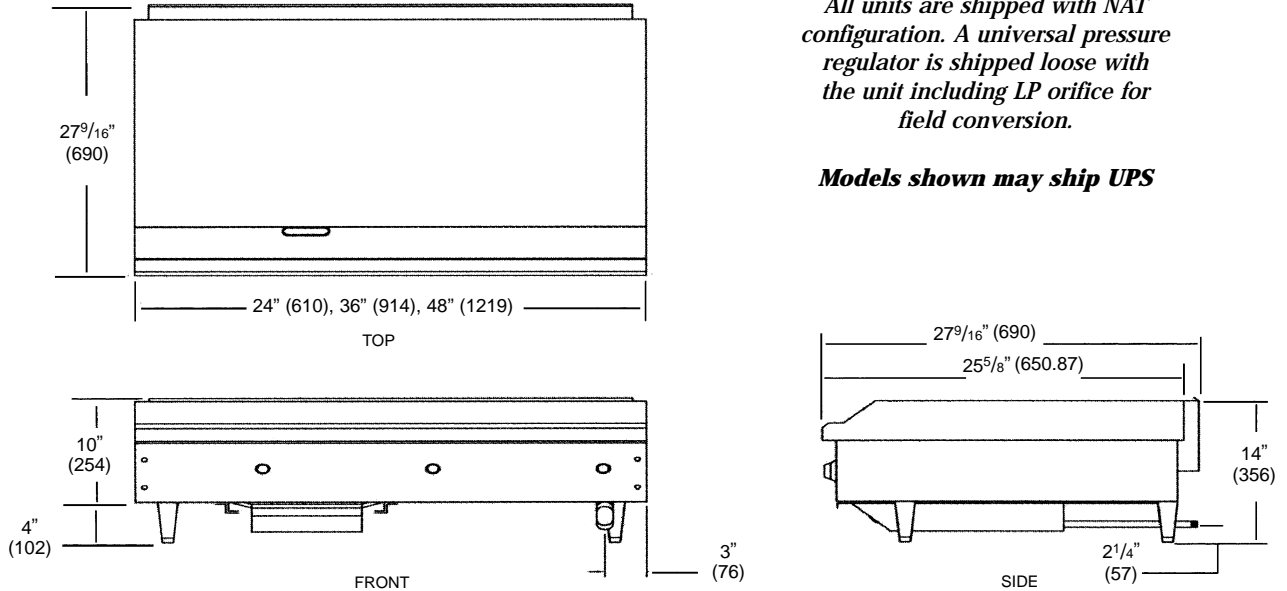
Warranted for one year covering parts and labor. (USA only) Call factory for warranty authorization.



Countertop Gas Griddles

Thermostatic: TMDG2400T, TMDG2400TP, TMDG3600T, TMDG3600TP, TMDG4800T, TMDG4800TP

Manual: TMDG2400, TMDG2400P, TMDG3600, TMDG3600P, TMDG4800, TMDG4800P



All units are shipped with NAT configuration. A universal pressure regulator is shipped loose with the unit including LP orifice for field conversion.

Models shown may ship UPS

Thermostatic

Model Number	TMDG2400T	TMDG2400TP	TMDG3600T	TMDG3600TP	TMDG4800T	TMDG4800TP
Gas Type	Natural	LP	Natural	LP	Natural	LP
Cook Zone Size	24"	24"	36"	36"	48"	48"
BTU/hr	40,000	40,000	60,000	60,000	80,000	80,000
Weight	215 lbs.	215 lbs.	290 lbs.	290 lbs.	365 lbs.	365 lbs.
Dimensions	24" W x 14" H x 27-9/16" L	24" W x 14" H x 27-9/16" L	36" W x 14" H x 27-9/16" L	36" W x 14" H x 27-9/16" L	48" W x 14" H x 27-9/16" L	48" W x 14" H x 27-9/16" L

Manual

Model Number	TMDG2400	TMDG2400P	TMDG3600	TMDG3600P	TMDG4800	TMDG4800P
Gas Type	Natural	LP	Natural	LP	Natural	LP
Cook Zone Size	24"	24"	36"	36"	48"	48"
BTU/hr	40,000	40,000	60,000	60,000	80,000	80,000
Weight	215 lbs.	215 lbs.	290 lbs.	290 lbs.	365 lbs.	365 lbs.
Dimensions	24" W x 14" H x 27-9/16" L	24" W x 14" H x 27-9/16" L	36" W x 14" H x 27-9/16" L	36" W x 14" H x 27-9/16" L	48" W x 14" H x 27-9/16" L	48" W x 14" H x 27-9/16" L

INTENDED FOR COMMERCIAL USE ONLY. NOT FOR HOUSEHOLD USE.



Toastrmaster, in line with its policy to continually improve its product, reserves the right to change materials or specifications without notice. Such revisions do not entitle the buyer to corresponding changes, improvements, additions, or replacements for previously purchased equipment.

